

TGA *Buddy*



Operating Instructions and Owner's Handbook

CONTENTS	CHAPTER
INTRODUCTION	1
INTENDED PURPOSE	2
PREPARE THE BUDDY FOR FIRST USE	3
YOUR FIRST DRIVE	4
DISMANTLING YOUR BUDDY	5
STORING BUDDY AT HOME	6
BATTERIES	7
BATTERY CHARGING	8
A GUIDE OT SAFE AND LASTING BATTERIES	9
FITTING NEW BATTERIES	10
CARE MAINTENANCE	11
TROUBLE SHOOTING	12
SAFETY FUSES	13
IMPORTANT SCOOTER CONTROLLER INFORMATION	14
TECHNICAL SPECIFICATION	15
WARRANTY	16

1. INTRODUCTION

TGA were one of the first companies to introduce lightweight portable scooters onto the market and Buddy is the end result of all the experience gained and a continuous program of development. Its brilliant design enables it to fold or come to pieces for transportation and its components light enough to lift into a car boot with ease.

Thank you for choosing Buddy, we hope it will bring freedom and pleasure into your life.

It is essential that you read this handbook before using Buddy as it provides important information on the most common operational and maintenance concerns that the user should be familiar with. It is very important that the user is familiar with the driving technique and is able to operate the controls competently before venturing far from where there is assistance. This applies to both a user sat on the scooter or any helper moving it.

This handbook will draw your attention to important safety related issues issued by CARE! labelling. Keep the handbook for future referral.

2. INTENDED PURPOSE

Buddy is a Class One 4 mph pavement vehicle intended for indoor and outdoor use. It will negotiate a 13% gradient safely but is not suitable for use on very rough areas.

Care! Warning

- Do not ride your Buddy without reading this instruction manual first
- Do not exceed the maximum gradient/slope
- Do not carry passengers or exceed the maximum carrying weight (See Technical Specifications)
- Do not get on or off your Buddy unless it is switched off
- Do not switch your Buddy on with the forward/reverse lever depressed
- Do not back your Buddy into uneven inclines or surfaces. Be cautious when traversing slopes
- Do not turn suddenly at full speed, especially on uneven or hilly ground. Failure to observe this may result in tipping of the scooter.
- Do not drive your Buddy unless the seat is locked into the driving position
- Do not drive your Buddy over deep, soft terrain (e.g. soft dirt, deep grass, loose gravel)
- Do not operate your scooter when under the influence of alcohol or certain drugs which may impair your safety
- Do not climb or descend curbs that exceed the capability of Buddy
- Do not turn when negotiating curbs. Always approach curbs at low speed and straight
- Always stop fully before changing direction (forward or reverse)
- Always keep your feet on the vehicle when driving
- Always proceed carefully while riding your scooter, especially as you approach the downgrade of a ramp or hill
- Always proceed carefully while riding on uneven surfaces
- Transport – Do not sit on your Buddy while being transported in a moving vehicle. Always restrain your scooter so that it cannot move in the vehicle and transfer yourself to a vehicle seat
- Do not drive the scooter through deep water or clean with a high pressure hose

A full technical specification for this model can be found at the rear of this manual

3. PREPARE THE BUDDY FOR FIRST USE

Care! Warning – Whilst the Buddy was designed for dismantling and transportation, and its various components are light enough for the majority of people to lift, they can still be fairly awkward and difficult. Always lift with care and seek help if you think they may be too heavy for you to manage.

Your Buddy may have been delivered to you fully assembled and ready to ride, or it may have been delivered to you disassembled and packed into a large box. Whichever way, the scooter has been fully assembled and tested before leaving the TGA factory. Buddy was designed to be assembled and disassembled by the user and it is very easy. Within the carton the scooter is in exactly the same component form as it would be to go into the boot of your car. So once assembled from the carton you will know the procedure for future use. It is very easy and will only take minutes. Once assembled Buddy is ready for use.

UNPACKING & ASSEMBLY

1. Cut the tape securing the box taking care not to cut into the contents of the box.
2. Open the box and remove packaging and the contents of the box. Lift with care.
3. You will have the contents as shown in Fig 1.

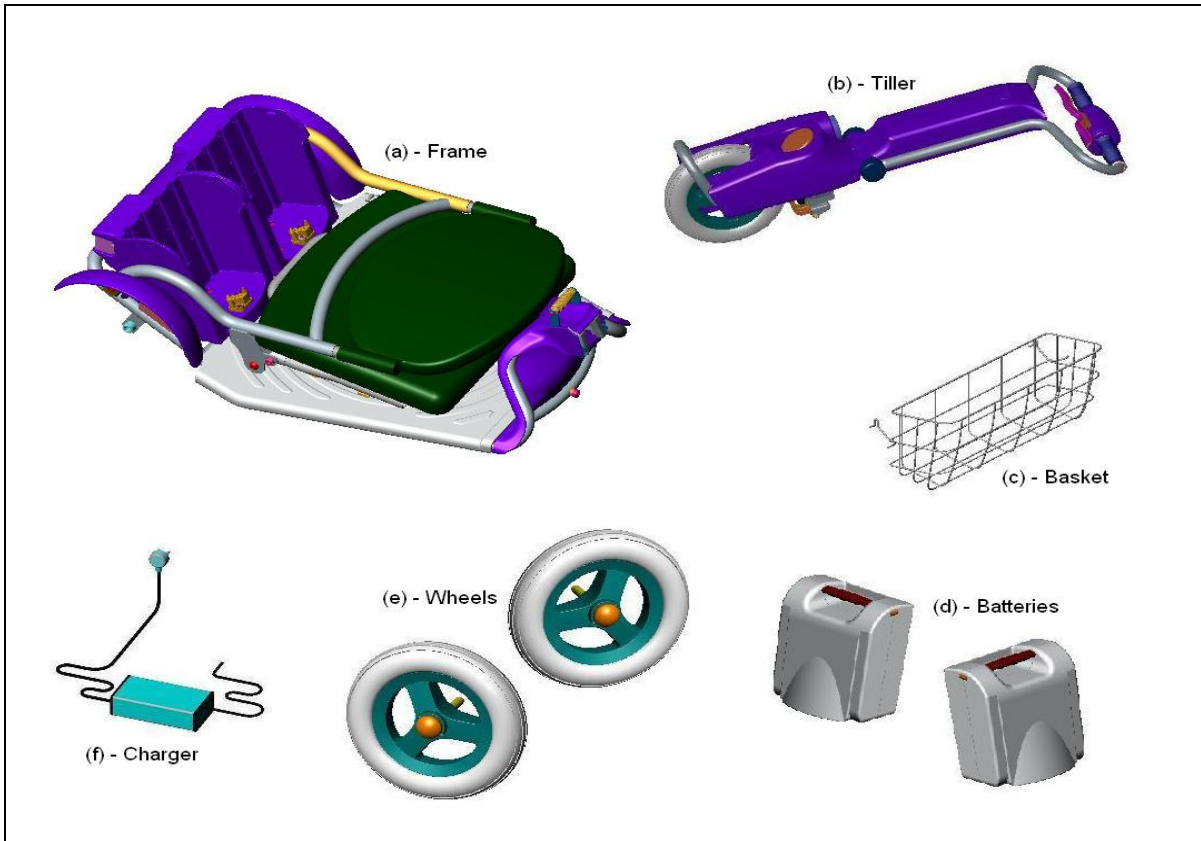


Fig 1

- a) Complete chassis with folded down seat
- b) Tiller
- c) Rear basket
- d) Two batteries complete with cases
- e) Two rear wheels
- f) Battery charger
- g) Two arm rests (not shown in Fig 1)
- h) Bag containing manual, registration card and tools

4. Fit the rear wheels first (see Fig 2). These have a quick release facility which enables you, if necessary, to remove them when packing into the boot of your car. These locate into the assembly at the rear of the frame (fig 2-3). They are fitted by holding the wheel with your fingers through the spokes, and with your thumb press in the rubber button in the centre of the wheel (fig 2-5). With your other hand lift the corner of the frame and insert the axle into the wheel mount. Release the button and always check the axle is locked by pulling the wheel. Repeat for the other wheel.

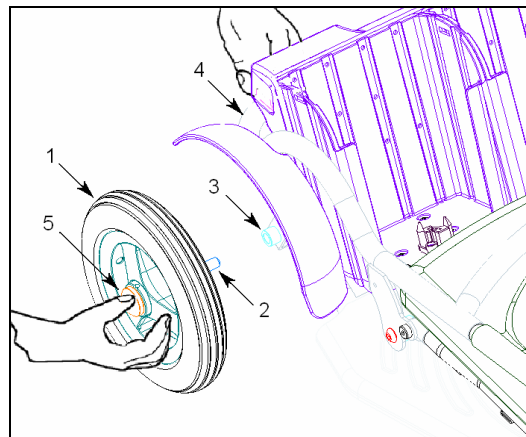


Fig 2

- Now fit the tiller to the mainframe (see fig 3). Working from the left side of the scooter, hold the tiller at the handlebar with your left hand holding it upright but tilted back slightly, lift the frame with your right hand on the lever, and lower the front of the frame over the block on the tiller, as fig 3. After the frame has dropped over the tiller location push the lever forward and down until it locks. Make sure the connection is secure by moving the tiller. The electrical connections are made automatically.

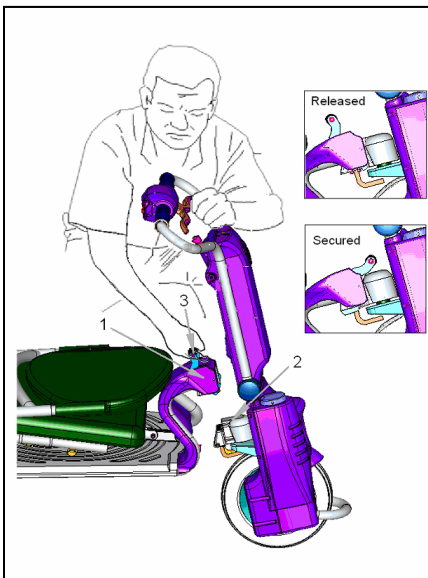


Fig 3

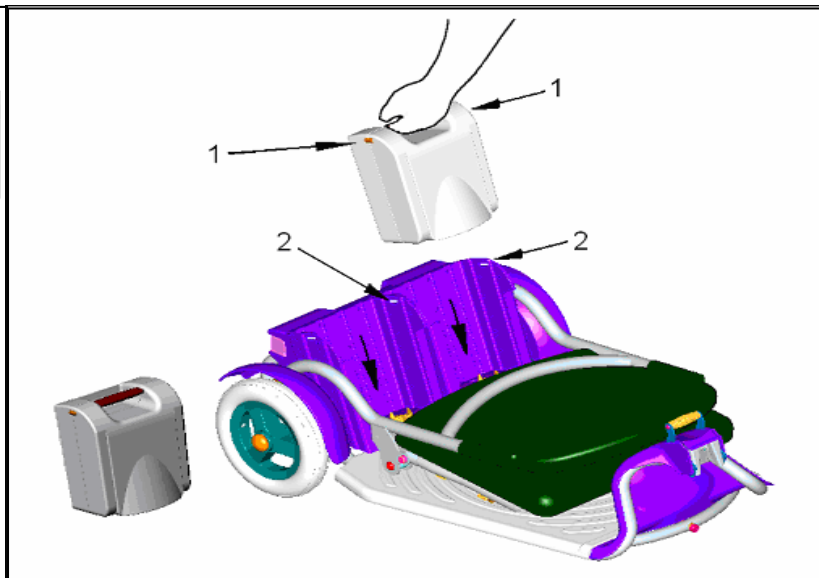


Fig 4

- Fit the batteries by lowering them gently down into their locations at the rear of the scooter (see fig 4). Again the electrical connections are made automatically.
- Unfold the seat to its normal position by holding the backrest and pulling up and back (fig 5a). Continue pulling (5b) until it reaches the driving position and you will hear a click as it locks into place. Make sure it has locked in by making sure you hear the click, and by trying to push the back of the seat forward. You may find this stage easier by holding the scooter still with your foot on the Buddy floor (fig 5c).



Fig 5a

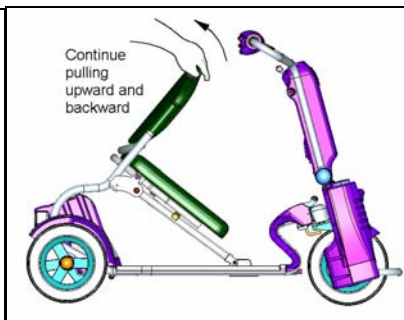


Fig 5b

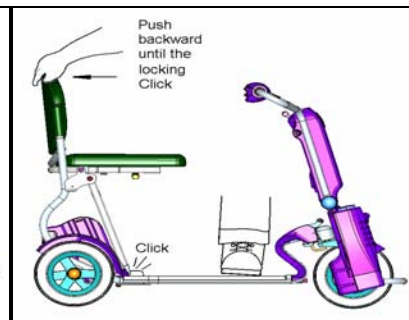


Fig 5c

- Attach the rear basket by hooking it over the lugs on the seat (fig 6). Do not overload the basket. Maximum load 10 Kg.
- Fit the arms by locating them on the seatback uprights and tightening the bolts securely. After installing make sure the arms will pivot.
- Buddy should now be ready for use. Before doing this however, please read this manual carefully and fully understand it.

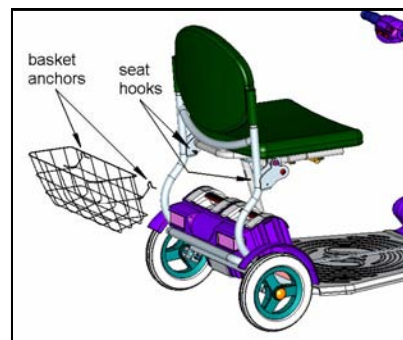


Fig 6

11. Your batteries should be given a full charge cycle before use (see battery charging section).

TILLER ADJUSTMENT

The tiller is uniquely designed to give adjustment for a comfortable driving position. It can also be moved for ease of access to the scooter or folded flat for storage.

To tilt simply pull the lever as shown at fig 7, pull or push the tiller to the desired position and release lever. Rock the tiller gently to secure it in position.

Care! Warning – Make sure the tiller is locked before using the scooter and also if you have lifted the armrests for ease of access make sure they are locked down before use.

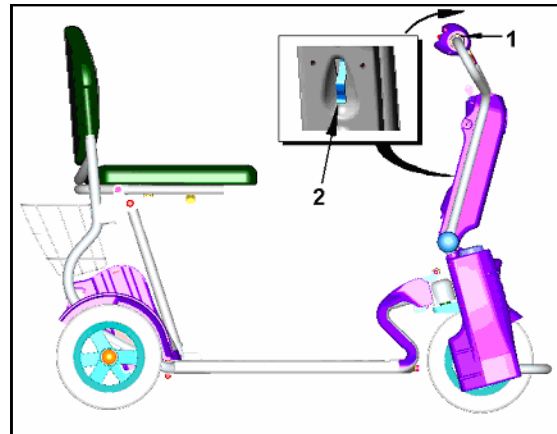


Fig 7

CONTROLS

ON/OFF KEY SWITCH – Located in the centre at the rear of the control console. Fig 8-1. Switch by inserting the key and turning clockwise. You will note the green “ON” light will illuminate as will the lights on the battery condition indicator. Your Buddy is ready for use. To switch off simply turn the key back to the vertical position. Never leave switched on when the scooter is not in use. Not only is this dangerous, but it will drain the battery. Make sure you remove the key when the scooter is unattended.

Care! Warning - Never switch off when the scooter is moving except in case of emergency. Failure to observe this will result in the motor brake being applied suddenly and placing you in a dangerous situation. In addition continual use of this mode may cause undue stress to the drive system and damage the main electronic control unit. Be extremely cautious on slopes. Sit upright in your seat or your machine could become less stable.

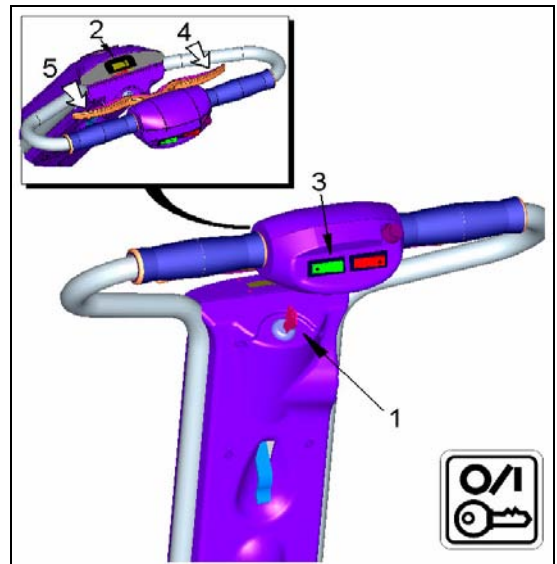


Fig 8

STATUS LIGHT - This is the green light on the control console next to the battery condition indicator. It will come on to show the machine is ready for use. It has another function as well, which is to flash various fault codes if the machine has a fault. This is explained further on in this manual.

BATTERY CONDITION INDICATOR – When you switch Buddy on you will see the battery condition indicator lights come on Fig 8-2. There are four lights in total and when they are all lit they are showing the batteries to be fully or nearly fully charged. When only one light is either lit or flashing, it is showing the batteries to be very low on charge and should be recharged as soon as possible.

Listed below is an indication of the percentage discharge shown by each of the four lights

4 lights - will show when 100% charged and remain on until charge drops to 75%

3 lights - will show when 75% charged and remain on until charge drops to 50%

2 lights - will show when 50% charged and remain on until charge drops to 25%

1 light - will show when 25% charged and remain on until charge drops to 10%

1 light flashing - will flash when charge drops to 10% which is approximately equal to 1 mile of normal use

This is only an approximation and must only be used as a rough guide to the state of the battery charge. You should be looking to recharge your batteries as soon as there is only one light showing. When this light flashes re-charge at the very earliest opportunity. Never run the batteries totally flat or you may experience problems with re-charging.

SPEED SWITCH - Facing you on the control console you will see 2 switches (fig 9). The left hand one of these is the 2 position speed switch. The slow speed mode indicated by a turtle is approximately 2 mph and should be used when learning the scooter and is also ideal for shopping and driving indoors etc (fig 9-2). The fast driving mode is activated by pressing the other side of the switch shown by the hare. This is the 4mph speed and when activated the switch will light up (fig 9-3).

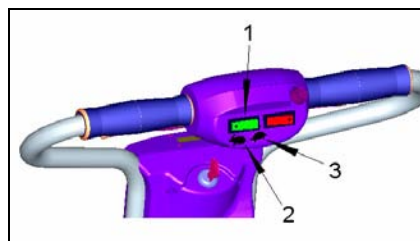


Fig 9

LIGHT SWITCH - For extra safety Buddy is fitted with front and rear lights. This is operated by the switch on the right of the speed switch (fig 10-1).

HORN - This is on the instrument panel and shown at fig 10-2). Please use only for your own safety and that of others. It is also used as a reversing warning to others. It is automatically activated when using reverse and sounds intermittently.

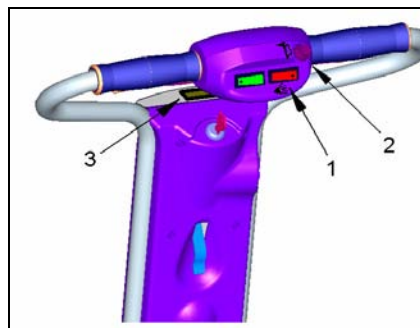


Fig 10

BRAKES - These are fully automatic and will apply when either of the speed control levers are released. As soon as the machine has come to a standstill the parking brake will come on. This will stop Buddy from moving even when parked on hills and inclines. The parking brake stays on all of the time Buddy is not in use, even when the ignition is switched off.

PARKING BRAKE MANUAL RELEASE - If for whatever reasons you have the need to push your scooter, the parking brake can be released manually. To achieve this turn the knob at the front right hand side of the tiller to the end of its travel which is about one third of a full turn (fig 11). Buddy is now in a freewheel mode and can be moved about manually. This should all be carried out with the ignition switched off. For obvious safety reasons the scooter is unable to be driven in this state. In addition if the ignition is turned on whilst the brake is in the release position the horn will sound continuously indicating the machine is in an unsafe condition.

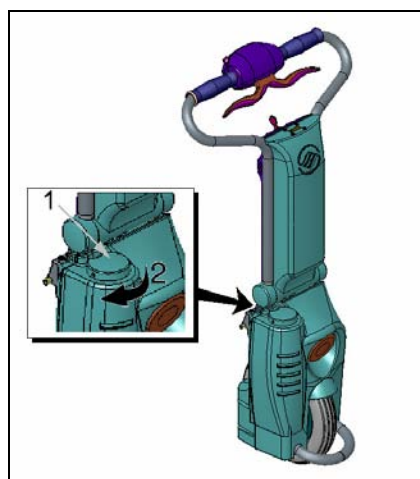


Fig 11

Care! Warning – Always return the manual release knob back to its drive position when you have finished pushing the scooter. Never leave the brake off when parked on a hill.

CAUTION – In the very unlikely event of your scooter not reducing speed when you let go of the forward/reverse lever, switch off immediately with the ON/OFF key. The parking brake will activate immediately and stop the scooter. Beware the machine will stop very suddenly so brace yourself with the handlebars and sit back in your seat.

Care! Warning – This operation should only ever be carried out in an emergency. Continual use of this procedure will cause damage to the electronics, motor, transmission and electronic brake.

SPEED CONTROL LEVERS – These are located on the handlebars and shown in fig 8-4 & 5. The right hand lever controls the forward speed and the left hand is for the reverse speed. These are used by gently squeezing them in with your fingers. The more you squeeze the lever towards you the quicker you will go. Never use by squeezing the lever fully home straight away. Always use the lever as a gradual process. To stop simply release the lever, the brakes will automatically be applied and Buddy will come to a gentle stop. The speed control levers are universal and forward and reverse modes can be controlled by each lever. By moving the right hand lever towards you the machine will drive forwards. By pushing the lever away from you the

machine will operate in reverse. The same applies with the left hand lever. Pulling towards you is reverse, pushing away, forwards.

WARNING – There is a slight delay between operating the lever and the scooter moving. This is a safety feature so do not think you have to move the lever further. Wait for the scooter to move before applying more pressure.

4. YOUR FIRST DRIVE

1. Ideally select a quiet large open area free from traffic in order to practice, preferably with a companion who can assist you.
2. Make sure you and your Buddy are on a level surface.
3. Get comfortably seated making sure the tiller is locked in position and the armrests are down.
4. Set the speed switch to slow (Turtle)
5. Switch the ON/OFF key to on, the green status light will come on as will the battery condition indicator lights
6. Gently squeeze the right hand lever towards you and you will move off in a forward motion. Squeezing the lever more will increase your speed but only do this if you feel safe. To stop simply release the lever and the brakes will be automatically applied.

Care! Warning - Take care not to have any pressure on the forward/reverse levers when you switch on. If this happens the scooter will not move and instead go into a fault mode and lights will flash. To clear the fault, switch off, wait a couple of seconds then switch on again.

GETTING OFF – Always switch off your scooter before dismounting. Make sure that you dismount the unit on a level surface

PARKING - If you need to park and leave your Buddy simply remove your key. This will keep the brake on and will make your scooter difficult to move. It is best to leave it in sight of someone (like a store assistant, etc) who can watch it for you. Another precaution is to make a note of the serial number of the scooter. Your serial number can be found on the tiller.

DRIVING - Make certain that you are properly seated on your Buddy. Ensure that the “speed switch” is on slow for your first drive. When you have become more confident, you can increase the setting to the higher speed. Pull the lever control as described earlier. You will very gently accelerate. The more you pull the lever, the quicker you will go. Release the lever and you will gently stop. Practice these two basic functions until you get used to them.

Steering the Buddy is easy and logical by turning the handlebars in the direction you wish to manoeuvre. Be sure to remember to give a wide clearance when turning so that the rear wheels follow the path of the front one, instead of cutting short.

Cutting short on pavement corners can mean that a back wheel will go off the pavement causing a stability problem. Avoid this at all times by steering an exaggerated wide arc around the obstacle.

If you must steer in a tight spot, such as entering a doorway or when turning around, stop and turn the handlebars to where you want to go, then apply the power gently. This will make the scooter turn sharply. It will still go gently and with complete stability. Practice in an open area until you are proficient.

Reversing requires attention. Be sure the speed switch is on “slow” before you reverse. Pull the left reverse lever. Remember: When you reverse you have to steer in the opposite direction of the way you want to go. Practice is required here. Again, use that open space. Please note that, as a safety requirement, reverse speed is half that of forward speed.

REMEMBER - If it is a tight turn, turn your steering column before applying power. Steer wide of all corners and obstacles. Please move slowly and with care.

Care! Warning – Do not turn your ON/OFF key switch to “OFF” position when your scooter is in motion. Failure to observe this warning may irreparably damage the main electronic speed control unit or drive transmission. Always first slow your Buddy down to a stationary position before you switch the scooter off. It is also dangerous to switch off when the scooter is in motion, as the brakes apply instantly.

When you start using your Buddy, you will meet some obstacles that will require some practice to drive through smoothly.

Here are some common problems, with tips that will help you master them quickly. You will soon be in control through doors, up and down ramps, up and over curbs, through grass and gravel, with surprising ease by following these tips.

CONTROL THROUGH DOORS – Approach an unfamiliar door slowly, sizing it up. Does it have a knob or a push bar? Does it open towards you or away? Think in terms of using the power of the scooter to do the work for you! You need not strain.

If it opens away from you, hold the doorknob or bar in one hand and apply power with the other hand. (Remember that you can drive forwards by using your left hand to move the throttle lever away from you). If the door is self-closing you can go through

allowing the door to close behind you if you go quickly enough. If not, just stop when you are clear of the door and push it closed.

If the door opens toward you, hold the knob or bar with one hand and gently let the reverse power do the work. When the door is open wide enough, go ahead quick, leaving the hand on the door to keep it free of the scooter and letting go as you pass the door frame. It is an easy technique. Practice makes perfect. Remember Buddy can do the work without wearing you out!

CONTROL ON RAMPS – More and more buildings have ramps for wheelchair access. Some have a change of direction in the middle and good cornering is required. Make a wide manoeuvre with your front wheel around tight corners so that your back wheels follow a wide arc to stay clear of the corner.

If you stop while facing uphill, the automatic parking brake will hold you safe. To start again, simply pull the forward direction lever, the parking brake will release and you will start to move. Going down the ramp, keep the speed switch set to “slow”. This will keep you in a safely controlled descent. If you wish to stop completely, release the control lever and you will come to a gentle stop.

CONTROL OVER GRASS, GRAVEL AND SLOPES – The Buddy performs admirably on grass, gravel and on hills. BUT YOU MUST NOT EXCEED THE PARAMETERS SET DOWN IN THIS MANUAL. Please refer to the “Rules for Safe Use” section. Safety must come first – if you are unsure about a situation, avoid it.

Your Buddy is suitable on lawns or in park areas but avoid un-kempt grass. Packed gravel, such as on driveways or roads will present few problems. Loose, deep gravel should be avoided, as well as loosely packed sand and muddy areas.

If when negotiating ramps or grass, especially in damp conditions, you notice the front wheel spinning and not getting any grip, without lifting out of the seat lean forward over the handlebars. This will put more weight over the driving wheel and give you more grip.

CONTROL OVER OBSTACLES – Your Buddy will negotiate small kerbs and obstacles but care must be taken. Try to find slopes to go down off a pavement but if you have to go over a small kerb approach with care and at right angles (facing the obstacle straight on). Stop just short of the obstacle.

- (a) If going down, drive forward slowly to drop the front wheel down then continue to drive to clear the back wheels
- (b) If going up go to full power and continue until the back wheels have mounted the obstacle, then slow down if you are on the pavement

Care! Warning

- ALWAYS make certain that your Buddy is in full working order before attempting to climb obstacles. Never attempt to drive beyond the design capability of your Buddy. Observe weather conditions. Tyres can slip on wet or icy conditions.
- DO NOT DRIVE THROUGH DEEP WATER OR LEAVE YOUR BUDDY EXPOSED TO HEAVY RAIN (ie during or after a thunderstorm)
- DO NOT attempt to turn when negotiating a curb. Only turn when all wheels are on or off the curb. Failure to observe this warning could result in the machine becoming unstable and toppling over.
- ALWAYS lean forward when ascending curbs. This will enable you to climb higher curbs and eliminate any chance of losing rear stability.

PLEASE NOTE - The rear stability of your scooter is dependent on a number of factors which you should consider before attempting to climb a steep slope or other obstacle (a) your height (b) your weight and (c) the angle of the slope or height of obstacle you are attempting to climb. All of these factors can affect the rear stability of your scooter. If you are unsure of your capability to climb an obstacle, always think safety first.

5. DISMANTLING YOUR BUDDY

A day out to visit family or friends or a trip to the shops, your Buddy can be taken along too. To enable your scooter to be carried in a suitable car, follow these simple instructions. This procedure can be carried out quickly and without tools.

Drive your Buddy close to the vehicle into which you are about to load it. You may need some assistance to lift the components once your scooter is dismantled.

1. Switch off scooter and remove key.
2. Remove basket from rear of scooter.

- With your hand at the front of the seat, pivot upwards 2/3 inches to the extent of its travel. With the seat base in this position, allow the whole seat to fold down, again to the extent of its travel (fig 11 a b c).

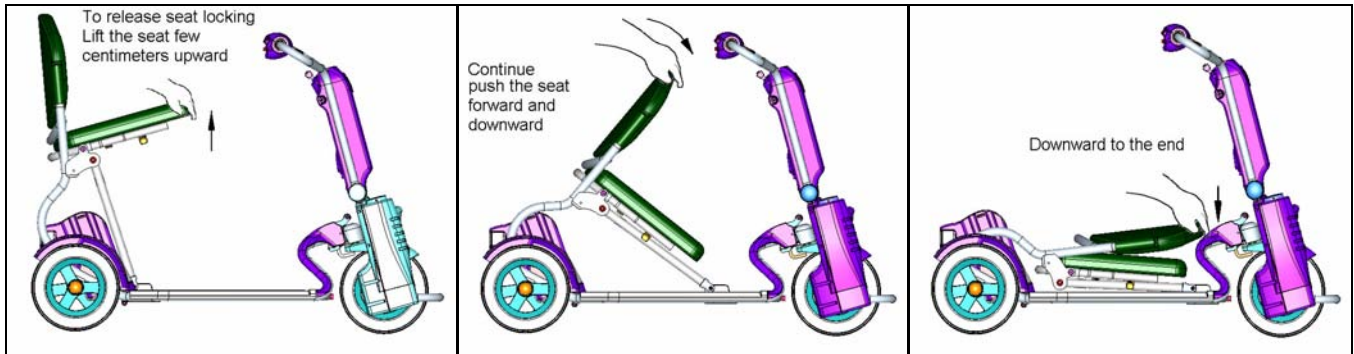


Fig 11a

Fig 11b

Fig 11c

Depending on the size of vehicle you are loading into would decide at this stage whether you would fold or remove the tiller. To fold, see fig 7, however even with batteries removed the scooter will probably require two people to lift. To remove pull the release lever upwards and lift the front of the mainframe clear of the tiller. The electrics are automatically disconnected (fig 12).

Care! Warning – Do take care not to nip fingers or part of your hand when carrying out this process.

- Remove the batteries by lifting each one out in turn by its handle. The handle automatically releases the retaining locks and the electrics disconnect automatically (fig 13). TAKE CARE, the batteries are fairly heavy
- It is not necessary to remove the rear wheels, but obviously Buddy will take up less room and fit better in some small car boots. With your fingers gripping the wheel, release the wheel by pressing the centre button with your thumb and pulling the wheel off. You will need to lift the mainframe up a few inches with your other hand to facilitate this (fig 14). Repeat for the other wheel.

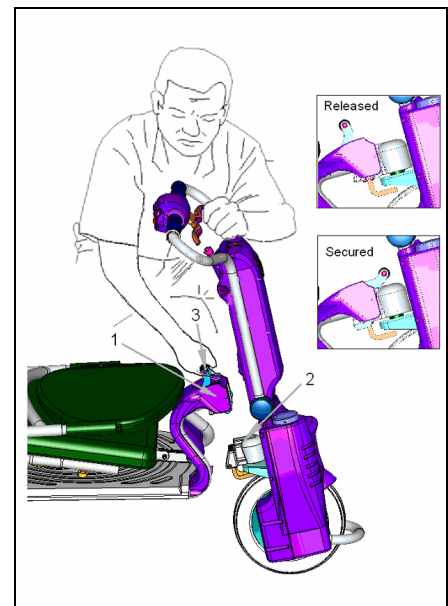


Fig 12

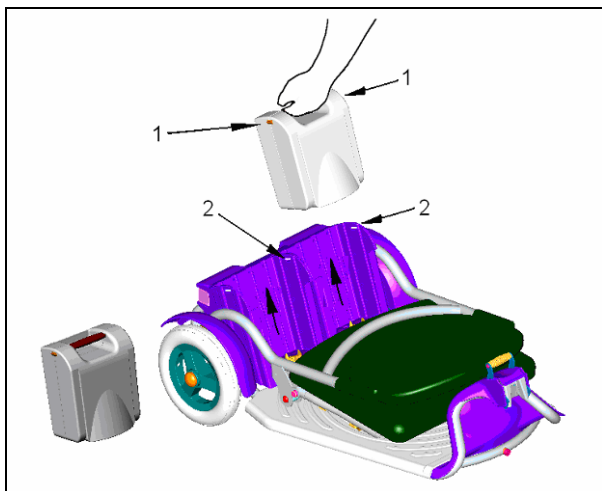


Fig 13

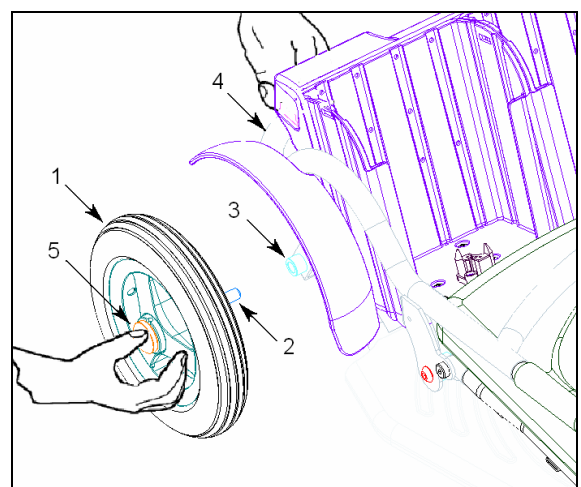


Fig 14

LOADING - Take care when lifting any of the components. Fit the mainframe into the boot first. It will fit better with the wheels off and is less liable to move about. It is a good idea to use some packing materials or blankets between the components. This will stop parts being scratched and in addition make them less likely to move. Next fit the tiller, then pack the other components around (fig 15). Ideal lifting points are shown in fig 16.

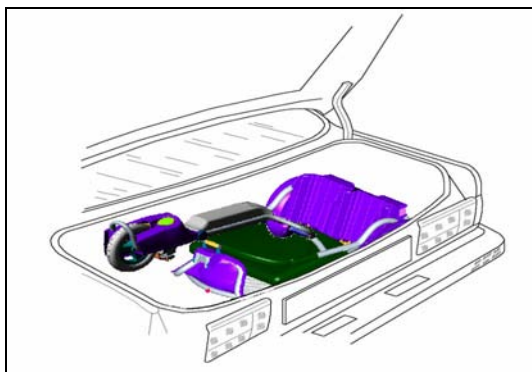


Fig 15

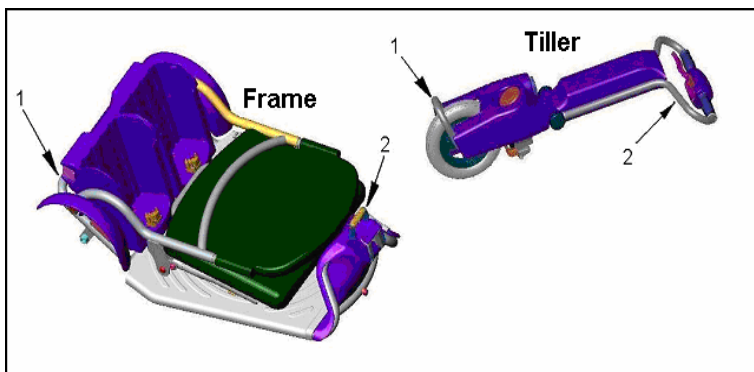


Fig 16

Care! Warning – The various components are potentially dangerous should they become dislodged in any emergency braking. Ensure they are all stowed securely and strapped to prevent movement or flying objects.

RE-ASSEMBLY – This is the reverse of the above and covered under Chapter 3.

6. STORING BUDDY AT HOME

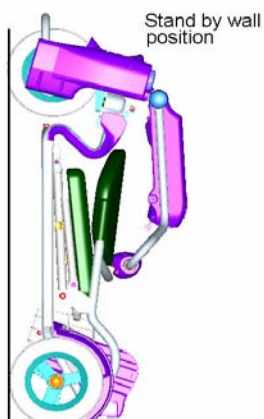


Fig 17a

Buddy has another unique feature which is to fold enabling it to be stored in a vertical or horizontal position thus taking up a minimum of room in hallways, cupboards or even caravans. Fold the seat and handlebars flat (see fig 17a & b) and remove the batteries. The scooter can now be left in this position taking a minimum of height or stood vertical on its rear rubber bumpers tucked out of the way against a wall.

Care! Warning – Make sure Buddy is placed well out of the way when standing vertical. In this position it would be easy to be knocked over causing damage to the scooter, furniture or persons.

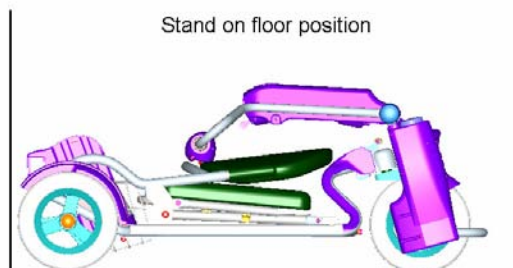


Fig 17b

7. BATTERIES

Your Buddy has a lot of power for a small scooter. Keeping it working to its maximum potential means that its two batteries must be maintained properly and with full power. Correct charging will help to give them a longer life and ensure that Buddy is always ready to go when you are. Following these instructions correctly will ensure you get the best results from your batteries.

The batteries fitted to Buddy are the latest in battery technology. They are sealed maintenance free and especially designed for power mobility. They do not require topping up.

They are fully enclosed within their cases and because of the battery design can be put down in any manner necessary, stood upright, laid down or even upside down for that matter, there will be no leaks.

As the batteries are sealed they are acceptable for air travel. Please consult your carrier prior to departure.

Please note - Each carrier reserves the right to carry what may be termed as hazardous cargo. TGA cannot be responsible for their final decision.

8. BATTERY CHARGING

The charger supplied is special to your Buddy. Never use any other charger as it may permanently damage your batteries and void the warranty.

1. Switch off your Buddy and remove the key.
2. Plug the charger into the scooter by inserting the jack plug end of the charger lead into the socket on the right hand side of the tiller (fig 18 1&3).
3. Push the 13A plug end of the charger lead into a suitable wall socket and switch on
4. You will see the red light come on the charger indicating that the scooter is being charged
5. When the red light on the charger changes to green the batteries are fully charged and the charger can be disconnected. Once the green light is on, the charger will automatically stop charging, so it does not have to be disconnected immediately, but whenever is convenient. The easiest way to recharge is by placing the scooter on charge when you go to bed and taking it off in the morning. Although the charging process only costs pence each time, doing it overnight costs even less if you are on a cheap rate meter.

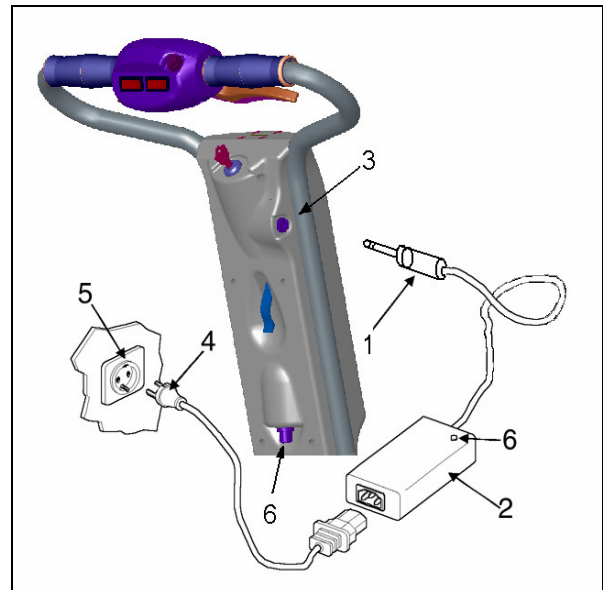


Fig 18

6. Although to get out of trouble the batteries can be put on charge for a short period of time, continual charging in this manner will shorten battery life.
7. For the best results and to prolong battery life try to run the battery down by at least 50% before recharging and in addition it is always best to go through a complete charge cycle each time.
8. Depending on how far the battery is discharged will decide the re-charge time. A full charge can take up to 8/10 hours. This time may increase as the batteries get older.
9. For the best results your batteries really need to be cycled for their first 10-15 charges. This means run them down as much as you safely can in use and then give them a full charge. They will not work at their best until this process has been carried out.

Care! Warning

- Do not smoke or use a naked flame while your batteries are being charged.
- Do not use the charger if it has received a sharp blow, been dropped or otherwise misused in any way. Take it to a qualified technician.
- Do not dismantle the charger. This will void the warranty.
- Do not leave charger plugged into your Buddy with charger switched off as this may discharge your batteries
- For a complete charge – Do not switch off, unplug or interrupt the recharge cycle until the charging cycle has completed. Make sure that the charger indicator light is green before you unplug your charger.

OFF BOARD CHARGING

This enables you to charge your Buddy batteries away from the scooter.

Particularly useful when on holiday and staying in hotels. The scooter can be left in the car boot and the batteries taken into your room and charged overnight. This obviously is also applicable at home and in many other circumstances. The batteries do not give off any gases so it is quite safe to charge in your room. To use, simply remove the batteries from the scooter and along with the off board unit and the battery charger take to wherever you wish to carry out the charging. Place the batteries back to back in the remote unit then plug the charger plug into the base of the unit. Plug the mains lead of the charger into a

convenient 13A socket and switch on. Leave the charger to charge up in the normal manner, then replace batteries on scooter. These are available as an extra from TGA.

IN CAR CHARGING

Available in 2 types from TGA

1. 12v CAR CHARGER - This is a charger made specifically for Buddy and will simply plug into the cigarette lighter socket in the car and from there into the offboard charging unit.

2. CHARGING INVERTER – Once again this will plug into the cigarette lighter socket of the car. Your normal Buddy charger will then plug into the Inverter and the output lead from the charger into the off board charging unit.

The difference between the two methods is that the 12v Car Charger is more simple but can only be used with Buddy. The Charging Inverter however is converting the cars 12v supply into 240v and can be used to power any mains voltage charger for other types of mobility equipment.

Using either of the above chargers will take a longer period of time to charge than your normal mains charger. Also they do require an uninterrupted charge time. In other words, before deciding to purchase either unit, check to make sure that your cigarette lighter socket will still work when the car ignition is switched off. Most of them do, but if this is not the case you will have to arrange for a small accessory plug and socket to be fitted to your car.

110v CHARGER – This is available from TGA and is for use in countries with 110v mains supply, typically America.

9. A GUIDE TO SAFE AND LASTING BATTERIES

- If your scooter is to be stored away for some time, make sure the batteries are fully charged before storing. In addition fully charge the batteries every 6/8 weeks and before re-using. Never leave your batteries in a discharged condition. This is particularly important to sealed batteries as used on the Buddy.

Batteries carry a limited warranty from the original manufacturer which is subject to a stringent wear and tear clause. Any battery faults due to a defect in the original manufacture will normally become obvious within the first two months. Any gradual deterioration in performance after this period is normally associated with fair wear and tear. Misuse or accidental damage is not covered by the manufacturer's warranty.

When your batteries are reaching the end of their useful life, you will find that the mileage will reduce and the power output that you once had will drop off much quicker. In addition the battery may take less time to charge.

When you need to replace them, ring TGA for any help you may need and to order new. If you are not replacing them through TGA, always insist on the same as originally fitted, as the scooter control and battery charger are all set for the specification of these batteries.

10. FITTING NEW BATTERIES

They can be fitted into the Buddy containers either by TGA or by any reasonably competent person.

Simply remove the containers one at a time from the Buddy and lay flat upside down on the floor. Remove the six screws holding the case together and lift off the back. Note which way the battery fits in and remove the bolts connecting the cables to the terminals with two 10mm spanners. Remove the battery and replace with the new one. Make sure it is fitted in exactly the same way and the battery cables are connected to the correct terminals. Repeat for the other container. Cycle the batteries for the first 10-15 charges as Chapter 8-9.

Care! Warning - Do take the utmost care when carrying out the above. The batteries are heavy so take care when lifting. Be extremely careful when disconnecting the battery terminals not to short any tools between the two terminals.

11. CARE MAINTENANCE

Your Buddy, like any other electro-mechanical machine, will benefit from regular servicing. Ideally this needs to be carried out every 12 months. Please contact your local dealer or direct to TGA. You too, can help keep your Buddy in tip-top condition by following a simple guide to home maintenance.

CAUTION: Only qualified technical people should carry out service work.

SEAT UPHOLSTERY: A damp cloth and a little soap will keep your seat and backrest looking good. Do not use abrasive cleaners as this will damage the coating. Upholstery can be damaged by chemical cleaners. Ultra-violet light can also reduce the life of the upholstery coating material. This is a normal ageing process and cannot be guaranteed (see exclusion in the Warranty Terms section).

BODYWORK: The bodywork on your scooter can be lightly washed with clean soapy water. Car polish can be used to keep the paint in pristine condition. Do not use abrasive cleaners or strong detergents as this will fade the colour and damage the paint.

CAUTION: Do not hose down your Buddy. Water could be forced into the electronics and cause permanent damage.

DO NOT store your Buddy in damp conditions. This may affect the electronics if left for very long periods of time.

DO NOT operate your Buddy in extreme weather conditions, ie very heavy rain

DO NOT drive through deep water. This could damage the main electronic controller and motor gearbox.

ELECTRONICS: Servicing of the drive electronics and charger should only be carried out by your local TGA service dealer. These units are sealed and should not be opened. **BROKEN SEALS WILL VOID YOUR WARRANTY.**

MOTOR BRAKES: If the motor brakes are functioning correctly, you will not be able to push your machine when it is switched off or switched on with the speed control throttle in the neutral position.

If your machine can be pushed when as described above, the motor brake(s) may be faulty. **Please do not use the scooter and contact your TGA dealer.**

SAFETY NOTE: For your own safety, we recommend that you check the function of your brakes prior to every journey.

DRIVING BRAKE: When you drive your Buddy and let go of the speed control throttle, your scooter should reduce speed very quickly. If you notice a change in the normal driving/slowing condition and it does not slow down quickly **please do not use your machine and contact your TGA dealer.**

TYRES: Check the condition of your tyres regularly. Look for signs of wear, cuts and foreign objects lodged in the tread. Your scooter comes with a foam filled front tyre eliminating the need to check or maintain air pressure, and pneumatic rear tyres. The tyre pressures must be regularly checked and maintained at 35PSI. This is important as wrongly inflated tyres will affect performance, mileage and tyre wear.

BATTERIES: Keep your batteries well charged (see "Battery Charging" section). Keep batteries clean and in a dry frost-proof place.

DO NOT subject batteries to extreme temperatures.

IMPORTANT: It is not possible to predict the life expectancy of your batteries. This is mainly due to different workloads a battery can be subjected to.

Some Buddy users will use their scooter every day and for long periods of time. Their batteries will receive a near total discharge and the life of their batteries will be short (12 months or less in some cases). Other Buddy users will use their vehicles less frequently, putting their batteries through a less demanding discharge lifestyle. These batteries will probably have a longer life (12 to 24 months or longer).

12. TROUBLE SHOOTING

1. Buddy will not start when you turn the key and the green light does not come on
 - a. One of the reset fuses on the battery has popped out (see Section 13 Safety Fuses).
 - b. The battery charger is still plugged in. This will prevent drive.
 - c. Any of the pins making the connection between batteries and mainframe and tiller and mainframe may be loose, as may the battery connections. If this is something you cannot do, consult TGA or your local dealer.

2. When you switch to on the green light comes on but is flashing
 - a) An electronic fault may have tripped the controller. Turn off, leave for a few seconds and turn back on to reset the control.
 - b) The batteries for whatever reason may be discharged. Recharge and try again. If they will not charge, consult TGA or your local dealer.
 - c) If the above has been tried and the scooter still will not work but the light is still flashing, look at the light carefully and you will see that it is flashing a certain sequence. This will be a more serious fault, so consult with TGA.
3. When you switch on the horn is making a continuous noise. Reset parking brake.
4. If the scooter does not slow down when in use, or the variable speed does not work. Turn off the power with the keyswitch and consult your dealer or TGA
5. If your charger will not work, check charger plugs are pushed in correctly. Check batteries are making connection. Check pop out fuse on tiller has not popped out (see Section 13 Safety Fuses).

CAUTION: If you find for any reason your Buddy does not reduce speed when you let go of the forward-reverse lever, switch your scooter off with the ON/OFF key. The parking brake will activate immediately and stop your Buddy. Beware the machine will stop very suddenly so brace yourself with the handlebars and sit back on your seat.

Care! Warning - This operation should only be carried out as an emergency. Continual use of this procedure will damage the drive transmission and motor brake. Inform your authorized TGA dealer before using your scooter again.

If you feel for any reason that your scooter is not driving correctly or making an unusual noise, stop using the scooter. Be SAFE, contact your TGA dealer and he will be able to advise you.

13. SAFETY FUSES

Buddy is protected from any major problems that could develop from accidental damage, short circuit and various other problems by 3 pop out fuses. One is located on each battery case (fig 19) and one located at the rear of the tiller under the serial number label. These can sometimes be triggered by other reasons, ie pothole or bumps. These can be reset by pushing in the button. If it does not reset wait a few minutes and try again. If it still will not reset, either get in touch with your dealer or TGA. If they will not reset never hold them in or tape them in. This could be dangerous.

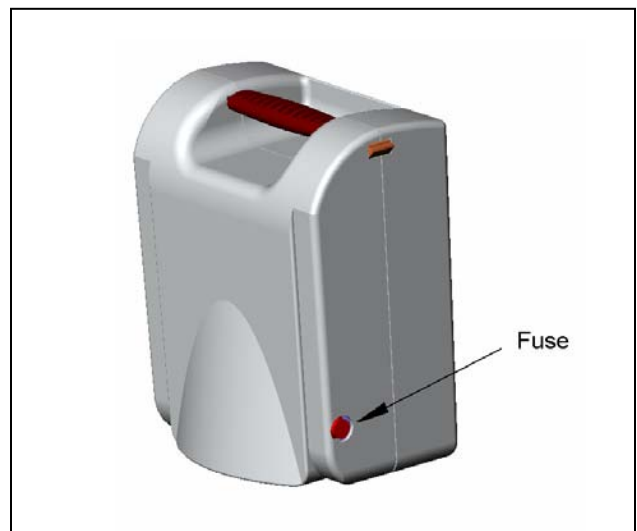


Fig 19

14. IMPORTANT SCOOTER CONTROLLER INFORMATION

The scooter controller system incorporates a sophisticated micro-processor design. It is located in the tiller of your Buddy. The scooter continually monitors the systems to ensure safe and reliable operation.

Safety Condition Monitored Include:

- Speed control system integrity
- Internal voltages and circuits
- Motor voltages and circuits
- Safety isolate relay
- Battery voltage

It also monitors and provides a fault diagnosis in conjunction with the green status light. To represent different faults the status light will flash various sequences. If you do need to report a fault to TGA you will be asked the sequence of the status light in order to help diagnose the fault.

15. TECHNICAL SPECIFICATION

Dimensions		Mm	Inches
Overall length		1200	47
Overall width		610	24
Turning radius		700	28
Ground clearance		85	3.5
Seat height (from foot platform)		460	18
Seat height (from ground)		585	23
Seat width		460	18
Backrest height		430	17
Tyre size – Front - Rear			10x2 solid tyre 10x2 pneumatic
Tyre pressure		2.4 bar	35PSI
Weight	Total excluding batteries	22 Kg	48.4lb
	Frame with seat	13 Kg	28.5lb
	Batteries (2)	7 Kg each	15.5lb each
Performance	Maximum speed low mode	3.5 Kph	2.2 mph
	Maximum speed high mode	6.4 Kph	4 mph
	Maximum carrying weight		
	Load capacity	100 Kg	16 stone
	Safe climbing angle	13% gradient	
Range (affected by use/terrain Conditions)		Up to 19Km	Up to 12 miles

Other Specification:

Controller	Curtis Instruments	Model 1228 70A
Charger		100-240v 2A
Battery Type		2 x 12v 22a/h sealed lead acid

SPARES: Only genuine TGA spares should be used.

16. WARRANTY: This is to certify that your TGA product is warranted by TGA for a period of twelve months from the date of purchase subject to the following conditions:

1. This warranty is extended only to the original purchaser/user of the TGA product identified by the product serial number located on the frame. This warranty is not transferable.
2. TGA will repair or replace free of charge any part found upon inspection by an authorized representative of TGA to be defective in material and/or workmanship.
3. If a defect or fault is discovered, the dealer from where the product was purchased should be notified immediately.

Warranty Exclusions

- Tyres and wheels (these are normal wear components and replacement is not warranted)
- TGA will not be responsible for defects caused by abuse in return transit, vandalism, misuse, abuse, accident, negligence, alteration or misuse caused by non-observance of instructions set out in the Operator's Manual
- This warranty does not cover commercial or rental use of the Buddy or any use other than normal
- Returns are only accepted when the product is shipped in the original carton with original protective packaging materials installed.
- Returned goods to be sent to TGA carriage paid. If a successful warranty claim is found, TGA will pay return carriage.

There is no other express warranty. Any and all other implied warranties are excluded. Your rights as a consumer are not affected.

01/01/05